
Cooling Fan CS Series

Due to the ingenious construction, it is possible to adapt just a few cooling fan sizes to a variety of differently sized motors with various motor shafts. The flat design of the yellow cooling fan even enables utilisation for motors with relatively short shaft ends. The material of the cooling fan is soft so that individual blades can be additionally cut. The height of the cooling fan can be reduced by another 10 % by processing the material.

The cooling fan has a 3-point jaw chuck which guarantees secure, central acceptance of the bushes and smooth running. 12 cooling fans with large surfaces ensure perfect air volume flow.

Attributes

The CS series cooling fan is a yellow, mechanically stable polypropylene injection-moulded part. It is available in various installation sizes with a fixed inner diameter. It is possible to insert bushes with varying inner diameters into the cooling fan for various shaft diameters.

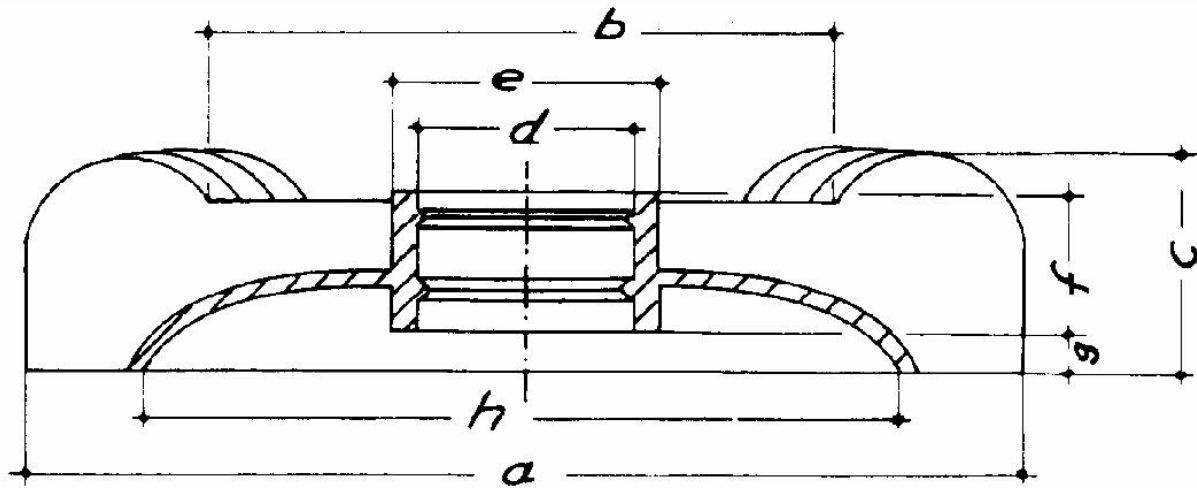
Application

The yellow cooling fan has been widely and successfully used for 30 years in the production of motors. Due to the two-sided bush installation, it is possible to adjust the distance between the motor housing and the cooler, and to individually adjust various makes of motors. Various standard bushes are available. If the standard borehole does not correspond, it is possible to turn a complete bush according to requirements. A possibly existing keyslot has to be removed.

Delivery forms

See table for dimensions and type designations.

Abmessungen



The information on this data sheet is based on the information provided by our supplier. It does not represent any specification or agreements regarding conditions or properties. The indicated values are standard values. Deviations from those values due to production and application cannot be excluded. The information on this data sheet is addressed to experts who use it at their own discretion and at their own risk. We do not guarantee results, or accept liability for the indicated specifications or for results obtained based on the specifications. Please contact us for more detailed information. Non-toxic and toxic substances are listed on the safety data sheet.

Updated 04/19



Dimensions	Unit of measure	CS 71	CS 80	CS 90	CS 100
a	mm	123	132	165	171
b	mm	75	79	95	99
c	mm	26	25	32	36
d	mm	27	27	42	42
e	mm	33	33	50	50
f	mm	15	15	18	18
g	mm	10	10	13	10
h	mm	99	131	147	

Connector	Unit of measure	CS 71	CS 80	CS 90
bore diameter 01	mm/inch	5/8"	5/8"	7/8"
bore diameter 02	mm/inch	20	20	
bore diameter 03	mm/inch	19	19	30
bore diameter 04	mm/inch	16	16	25
bore diameter 05	mm/inch	14	14	3/4"
bore diameter 06	mm/inch			
bore diameter 07	mm/inch	22	22	5/8"
bore diameter 08	mm/inch	1/2"	1/2"	24

The information on this data sheet is based on the information provided by our supplier. It does not represent any specification or agreements regarding conditions or properties. The indicated values are standard values. Deviations from those values due to production and application cannot be excluded. The information on this data sheet is addressed to experts who use it at their own discretion and at their own risk. We do not guarantee results, or accept liability for the indicated specifications or for results obtained based on the specifications. Please contact us for more detailed information. Non-toxic and toxic substances are listed on the safety data sheet.

Updated 04/19



Connector	Unit of measure	CS 71	CS 80	CS 90
bore diameter 09	mm/inch			
bore diameter 10	mm/inch			28
bore diameter 11	mm/inch			
bore diameter 12	mm/inch			

Connector	Unit of measure	CS 100	CS 112	CS 132	CS 160
bore diameter 01	mm/inch	7/8"	45	45	
bore diameter 02	mm/inch		38	38	42
bore diameter 03	mm/inch	30	3/4"	3/4"	
bore diameter 04	mm/inch	25	28	28	45
bore diameter 05	mm/inch	3/4"	7/8"	7/8"	1 5/8"
bore diameter 06	mm/inch	1/2"	32	32	50
bore diameter 07	mm/inch	5/8"			1 3/8"
bore diameter 08	mm/inch	24		40	
bore diameter 09	mm/inch	24	1 3/8"	1 3/8"	
bore diameter 10	mm/inch	28	1 1/18"	1 1/8"	
bore diameter 11	mm/inch		30	30	
bore diameter 12	mm/inch				

The information on this data sheet is based on the information provided by our supplier. It does not represent any specification or agreements regarding conditions or properties. The indicated values are standard values. Deviations from those values due to production and application cannot be excluded. The information on this data sheet is addressed to experts who use it at their own discretion and at their own risk. We do not guarantee results, or accept liability for the indicated specifications or for results obtained based on the specifications. Please contact us for more detailed information. Non-toxic and toxic substances are listed on the safety data sheet.

Updated 04/19



Dimensions	Unit of measure	CS 112	CS 132	CS 160
a	mm	212	247	296
b	mm	124	134	172
c	mm	46	56	56
d	mm	56	56	69
e	mm	63	63	76
f	mm	24	24	29
g	mm	15	17	17
h	mm	174	203	244

Dimensions	Unit of measure	CS 180
a	mm	335
b	mm	214
c	mm	55
d	mm	69
e	mm	76
f	mm	29
g	mm	17
h	mm	276

The information on this data sheet is based on the information provided by our supplier. It does not represent any specification or agreements regarding conditions or properties. The indicated values are standard values. Deviations from those values due to production and application cannot be excluded. The information on this data sheet is addressed to experts who use it at their own discretion and at their own risk. We do not guarantee results, or accept liability for the indicated specifications or for results obtained based on the specifications. Please contact us for more detailed information. Non-toxic and toxic substances are listed on the safety data sheet.

Updated 04/19



Connector	Unit of measure	CS 180
bore diameter 01	mm/inch	
bore diameter 02	mm/inch	42
bore diameter 03	mm/inch	1 7/8"
bore diameter 04	mm/inch	45
bore diameter 05	mm/inch	1 5/8"
bore diameter 06	mm/inch	50
bore diameter 07	mm/inch	1 3/8"
bore diameter 08	mm/inch	
bore diameter 09	mm/inch	
bore diameter 10	mm/inch	
bore diameter 11	mm/inch	
bore diameter 12	mm/inch	

The information on this data sheet is based on the information provided by our supplier. It does not represent any specification or agreements regarding conditions or properties. The indicated values are standard values. Deviations from those values due to production and application cannot be excluded. The information on this data sheet is addressed to experts who use it at their own discretion and at their own risk. We do not guarantee results, or accept liability for the indicated specifications or for results obtained based on the specifications. Please contact us for more detailed information. Non-toxic and toxic substances are listed on the safety data sheet.

Updated 04/19

