
SynCon® TRKS 4-FS and TRKSD 4-FS

Attributes

This type family has been developed for direct assembly on the coil body with integrated installation chambers. All terminals can also be snapped onto aluminium transformer rails 2 x 10 mm and 2 x 35 mm in size.

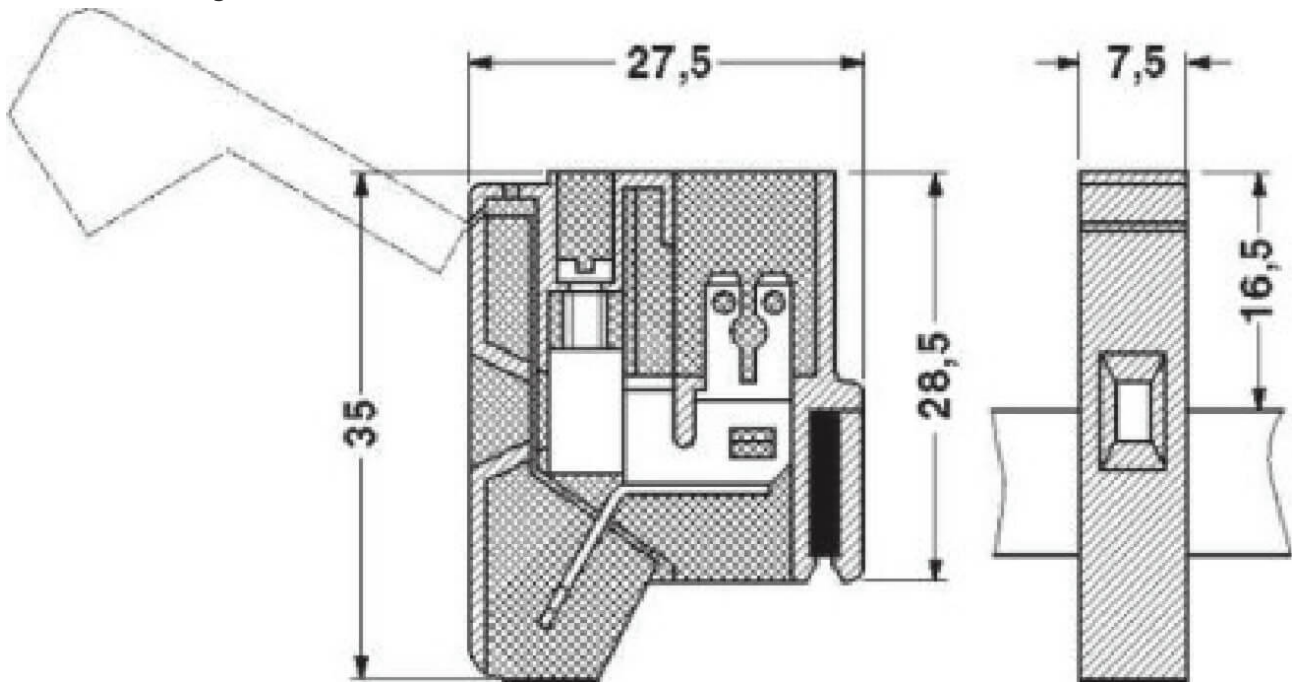
The type series includes:

- Single, double and triple terminals with screw connections
- Single and double terminals with combined screw/push-on blade connections
- Green/yellow PE terminals for screw connecting and welding to the core stack
- Fuse terminals for the relevant 5 x 20 mm, 5 x 30 mm and 6.3 x 32 mm cartridge fuse links

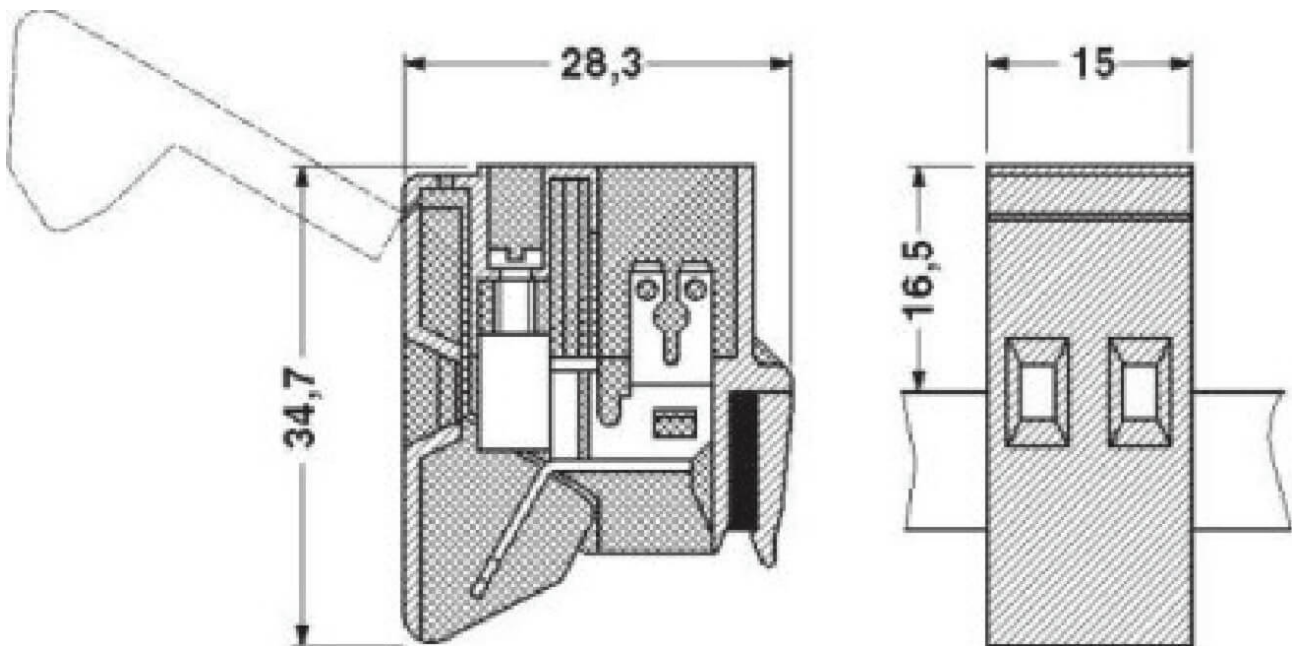
Delivery forms

50 pieces per package

Technical drawing



TRKS 4-FS



TRKSD 4-FS

Technical data	Unit of measure	TRKS 4-FS	TRKSD 4-FS
Rated cross section	mm ²	4	4
Rated voltage	V	only possible with transformer	only possible with transformer
Rated insulation voltage	V	690*	690*
Rated surge voltage / Contamination class	kV / -	8 / 3	8 / 3
Surge voltage category/Insulation material group		III / I	III / I

Nominal data acc. to CSA	Unit of measure	TRKS 4-FS	TRKSD 4-FS
Rated voltage	V	600	600
Nominal current	A	27	25

Nominal data acc. to UL	Unit of measure	TRKS 4-FS	TRKSD 4-FS
Rated voltage	V	600	600
Nominal current	A	30	30

The information on this data sheet is based on the information provided by our supplier. It does not represent any specification or agreements regarding conditions or properties. The indicated values are standard values. Deviations from those values due to production and application cannot be excluded. The information on this data sheet is addressed to experts who use it at their own discretion and at their own risk. We do not guarantee results, or accept liability for the indicated specifications or for results obtained based on the specifications. Please contact us for more detailed information. Non-toxic and toxic substances are listed on the safety data sheet.
Updated 06/24



Connection data	Unit of measure	TKRS 4-FS	TKRSD 4-FS
Strand cross section rigid min	mm ²	0.2	0.2
Strand cross section rigid max	mm ²	6	6
Strand cross section flexible min	mm ²	0.2	0.2
Strand cross section flexible max	mm ²	4	4
Strand cross section with AEH min	mm ²	0.25	0.25
Strand cross section with AEH max	mm ²	1.5	1.5
2 strands equal cross section rigid min	mm ²	0.2	0.2
2 strands equal cross section rigid max	mm ²	1.5	1.5
2 strands equal cross section flexible min	mm ²	0.2	0.2
2 strands equal cross section flexible max	mm ²	1.5	1.5
2 strands equal cross section with TWIN-AEH min	mm ²	0.5	0.5
2 strands equal cross section with TWIN-AEH max	mm ²	2.5	2.5
Number of connections		2	4
Connection type		screw connection	screw connection
Stripping length	mm	8	8
Thread		M3	M3
Torque	Nm	0.6-0.8	0.6-0.8

The information on this data sheet is based on the information provided by our supplier. It does not represent any specification or agreements regarding conditions or properties. The indicated values are standard values. Deviations from those values due to production and application cannot be excluded. The information on this data sheet is addressed to experts who use it at their own discretion and at their own risk. We do not guarantee results, or accept liability for the indicated specifications or for results obtained based on the specifications. Please contact us for more detailed information. Non-toxic and toxic substances are listed on the safety data sheet.
Updated 06/24



Material data	TKRS 4-FS	TKRSD 4-FS
Insulation material	PA	PA
Inflammability class acc. to UL 94	V2	V2
Contact surface	tin-plated	tin-plated

Description	TRKS 4-FS
Colour	TRKS 4-FS GY
Colour	TRKS 4-FS OK
Colour	TRKS 4-FS GNYE

Description	TKRSD 4-FS
Colour	TRKS4-FS GY
Colour	TRKS 4-FS OG
Colour	TRKS 4-FS GNYE

The information on this data sheet is based on the information provided by our supplier. It does not represent any specification or agreements regarding conditions or properties. The indicated values are standard values. Deviations from those values due to production and application cannot be excluded. The information on this data sheet is addressed to experts who use it at their own discretion and at their own risk. We do not guarantee results, or accept liability for the indicated specifications or for results obtained based on the specifications. Please contact us for more detailed information. Non-toxic and toxic substances are listed on the safety data sheet.
 Updated 06/24

