
SynCon® VTRK 4-Si

SynCon® VTRK 4-Si

Attributes

The VTRK 4-Si has been specially developed for connecting molded safety transformers conforming to IEC 742/EN 60 742 / DIN VDE 0551-1 for low voltage halogen lamps. Mounting is considerably facilitated by this new development. This connection technology enables molding of the transformer to the terminal. A connection cross section of 4mm² can be realised for supply and return lines, despite the low height of only 12.4 mm.

The VTRKZ 4-Si terminal variant is also equipped with a solid strain relief element. In addition to this, two fuse terminal block variants are available to protect the transformers.

The VTRKZ 4-Si acts as the primary transformer protection, and the VTRKZ 4-Si/C protects secondary power circuits with max. 32 V. Both terminals are also available as special variants with LED displays.

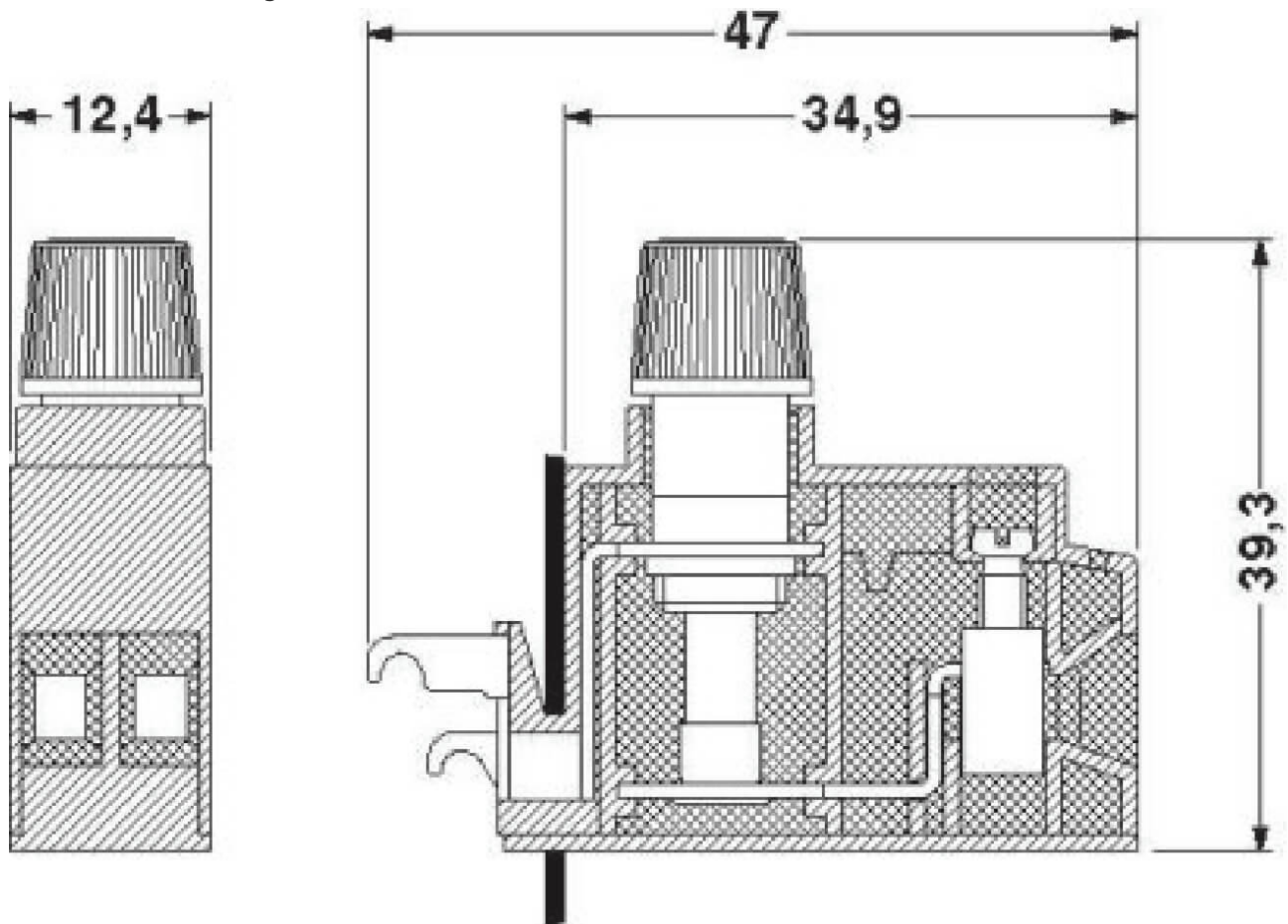
The molded housing has a wall thickness of 1.2 to 1.9 mm.

The VTRK 4 and VTRKZ 4 are individually labelled with BN Zack strip.

Delivery forms

50 units per package

Technische Zeichnung



VTRK 4-Si

The information on this data sheet is based on the information provided by our supplier. It does not represent any specification or agreements regarding conditions or properties. The indicated values are standard values. Deviations from those values due to production and application cannot be excluded. The information on this data sheet is addressed to experts who use it at their own discretion and at their own risk. We do not guarantee results, or accept liability for the indicated specifications or for results obtained based on the specifications. Please contact us for more detailed information. Non-toxic and toxic substances are listed on the safety data sheet.

Updated 10/18



Technical data	Unit of measure	VTRK 4-Si
Design		fuse plug 5mm x 20 mm
Rated cross section	mm ²	4
Max. Strombelastbarkeit	A	determined by fuse
Rated voltage	V	only possible with transformer
Rated insulation voltage	V	250
Rated surge voltage / Contamination class	kV / -	4/3
Surge voltage category/Insulation material group		III / III

Nominal data acc. to CSA	Unit of measure	VTRK 4-Si
Nominal current	A	10
Rated voltage	V	
AWG	kcmil	24-10

Nominal data acc. to UL	Unit of measure	VTRK 4-Si
Rated voltage	V	
AWG	kcmil	
Nominal current	A	

The information on this data sheet is based on the information provided by our supplier. It does not represent any specification or agreements regarding conditions or properties. The indicated values are standard values. Deviations from those values due to production and application cannot be excluded. The information on this data sheet is addressed to experts who use it at their own discretion and at their own risk. We do not guarantee results, or accept liability for the indicated specifications or for results obtained based on the specifications. Please contact us for more detailed information. Non-toxic and toxic substances are listed on the safety data sheet.

Updated 10/18



Connection data	Unit of measure	VTRK 4-Si
Strand cross section rigid min	mm ²	0.2
Strand cross section rigid max	mm ²	6
Strand cross section flexible min	mm ²	0.2
Strand cross section flexible max	mm ²	4
Strand cross section with AEH min	mm ²	0.25
Strand cross section with AEH max	mm ²	1.5
2 strands equal cross section rigid min	mm ²	0.2
2 strands equal cross section rigid max	mm ²	1.5
2 strands equal cross section flexible min	mm ²	0.2
2 strands equal cross section flexible max	mm ²	1.5
2 strands equal cross section with TWIN-AEH min	mm ²	0.5
2 strands equal cross section with TWIN-AEH max	mm ²	2.5
Number of connections		4
Connection type		screw connection
Stripping length	mm	8
Thread		M3
Torque	Nm	0.6-0.8

The information on this data sheet is based on the information provided by our supplier. It does not represent any specification or agreements regarding conditions or properties. The indicated values are standard values. Deviations from those values due to production and application cannot be excluded. The information on this data sheet is addressed to experts who use it at their own discretion and at their own risk. We do not guarantee results, or accept liability for the indicated specifications or for results obtained based on the specifications. Please contact us for more detailed information. Non-toxic and toxic substances are listed on the safety data sheet.

Updated 10/18



Material data	VTRK 4-Si
Insulation material	PA
Inflammability class acc. to UL 94	V0
Contact surface	tin-plated

Description	VTRK 4-Si
Colour	green-yellow

The information on this data sheet is based on the information provided by our supplier. It does not represent any specification or agreements regarding conditions or properties. The indicated values are standard values. Deviations from those values due to production and application cannot be excluded. The information on this data sheet is addressed to experts who use it at their own discretion and at their own risk. We do not guarantee results, or accept liability for the indicated specifications or for results obtained based on the specifications. Please contact us for more detailed information. Non-toxic and toxic substances are listed on the safety data sheet.

Updated 10/18

