
SynCon® ZTRK 4 GN/YE and ZTRK 4-Si

Attributes

The ZTRK 4 terminal with spring-cage connection and the SI-TRK fuse holder were developed for both direct mounting on bobbins with integrated mounting compartments and snap mounting on 2 x 10 mm und 2 x 35 mm aluminium transformer rails. The terminals cover the cross section range from 0.2 mm² to 4.0 mm².

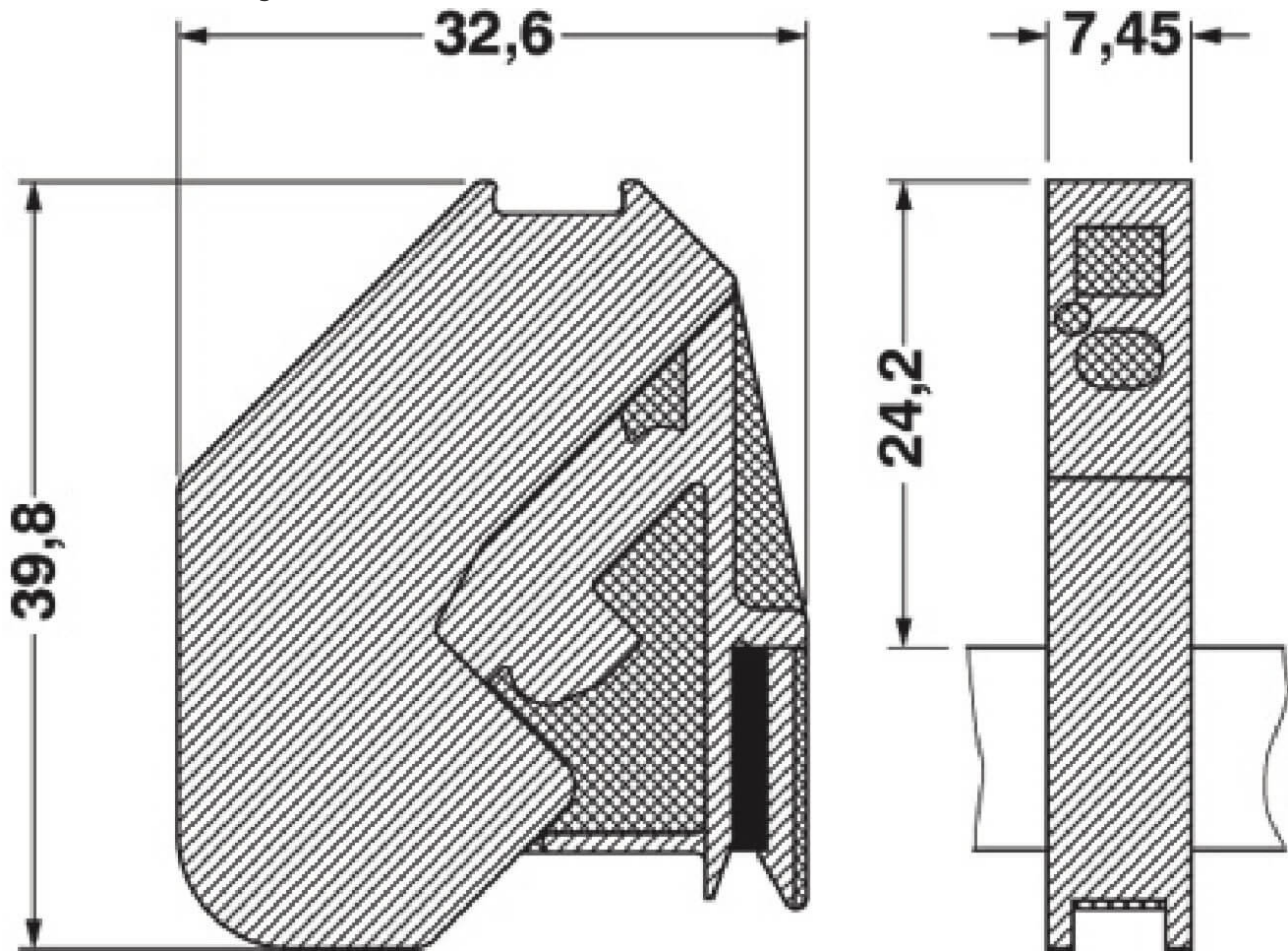
A green/yellow variant without metallic contact to the contact surface and a fuse terminal block with identical shape are also available.

The terminal has a practical 2.3 mm test hole designed for the test plug. The SIH-TRK fuse holder can accommodate a 5 x 20 mm replacement fuse directly on the transformer.

Delivery forms

50 units per package

Technische Zeichnung

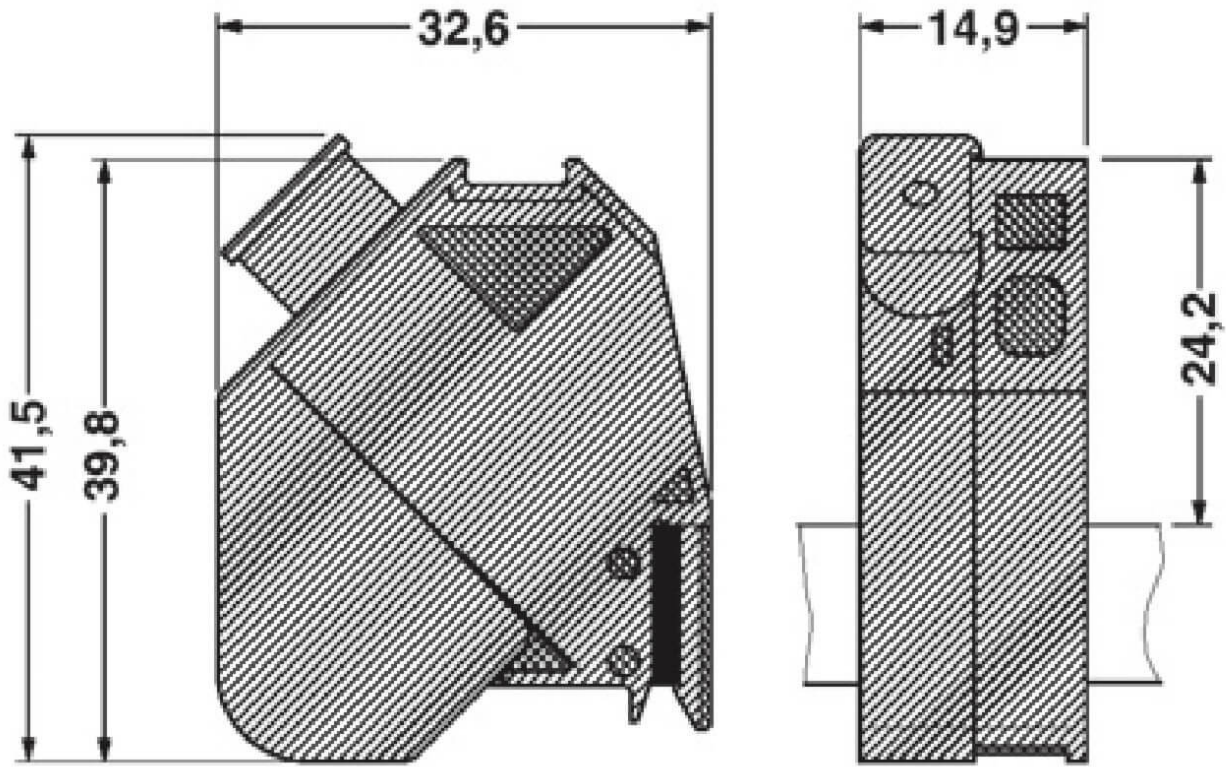


ZTRK 4 GN/YE

The information on this data sheet is based on the information provided by our supplier. It does not represent any specification or agreements regarding conditions or properties. The indicated values are standard values. Deviations from those values due to production and application cannot be excluded. The information on this data sheet is addressed to experts who use it at their own discretion and at their own risk. We do not guarantee results, or accept liability for the indicated specifications or for results obtained based on the specifications. Please contact us for more detailed information. Non-toxic and toxic substances are listed on the safety data sheet.

Updated 10/18





ZTRK 4-Si

Technical data	Unit of measure	ZTRK 4 GN/YE	ZTRK 4-Si
Design		mouting rail or bobbin	mouting rail or bobbin
Rated cross section	mm ²	4	4
Max. Strombelastbarkeit	A		6.3 determined by Si
Rated voltage	V	only possible with transformer	only possible with transformer
Rated insulation voltage	V	630	250
Rated surge voltage / Contamination class	kV / -	6/3	6/ 3
Surge voltage category/Insulation material group		III / III	III / III

Nominal data acc. to CSA	Unit of measure	ZTRK 4 GN/YE	ZTRK 4-Si
Rated voltage	V		600
Nominal current	A		6.3
AWG	kcmil	24-10	24-16

Nominal data acc. to UL	Unit of measure	ZTRK 4 GN/YE	ZTRK 4-Si
Rated voltage	V		600

The information on this data sheet is based on the information provided by our supplier. It does not represent any specification or agreements regarding conditions or properties. The indicated values are standard values. Deviations from those values due to production and application cannot be excluded. The information on this data sheet is addressed to experts who use it at their own discretion and at their own risk. We do not guarantee results, or accept liability for the indicated specifications or for results obtained based on the specifications. Please contact us for more detailed information. Non-toxic and toxic substances are listed on the safety data sheet.

Updated 10/18



Nominal data acc. to UL	Unit of measure	ZTRK 4 GN/YE	ZTRK 4-Si
Nominal current	A		30
AWG	kcmil		

Connection data	Unit of measure	ZTRK 4 GN/YE	ZTRK 4-Si
Strand cross section rigid min	mm ²	0.2	0.2
Strand cross section rigid max	mm ²	4	4
Strand cross section flexible min	mm ²	0.2	0.2
Strand cross section flexible max	mm ²	4	4
Strand cross section with AEH min	mm ²	0.25	0.25
Strand cross section with AEH max	mm ²	4	4
2 strands equal cross section rigid min	mm ²		
2 strands equal cross section rigid max	mm ²		
2 strands equal cross section flexible min	mm ²		
2 strands equal cross section flexible max	mm ²		
2 strands equal cross section with TWIN-AEH min	mm ²	0.5	0.5
2 strands equal cross section with TWIN-AEH max	mm ²	1	1

The information on this data sheet is based on the information provided by our supplier. It does not represent any specification or agreements regarding conditions or properties. The indicated values are standard values. Deviations from those values due to production and application cannot be excluded. The information on this data sheet is addressed to experts who use it at their own discretion and at their own risk. We do not guarantee results, or accept liability for the indicated specifications or for results obtained based on the specifications. Please contact us for more detailed information. Non-toxic and toxic substances are listed on the safety data sheet.

Updated 10/18



Connection data	Unit of measure	ZTRK 4 GN/YE	ZTRK 4-Si
Number of connections		2	2
Connection type		spring-cage	spring-cage
Stripping length	mm	12	12
Thread			
Torque	Nm		

Material data	ZTRK 4 GN/YE	ZTRK 4-Si
Insulation material	PA	PA
Inflammability class acc. to UL 94	V0	V2
Contact surface	tin-plated	tin-plated

Description	ZTRK 4 GN/YE	ZTRK 4-Si
Colour	green-yellow	orange

The information on this data sheet is based on the information provided by our supplier. It does not represent any specification or agreements regarding conditions or properties. The indicated values are standard values. Deviations from those values due to production and application cannot be excluded. The information on this data sheet is addressed to experts who use it at their own discretion and at their own risk. We do not guarantee results, or accept liability for the indicated specifications or for results obtained based on the specifications. Please contact us for more detailed information. Non-toxic and toxic substances are listed on the safety data sheet.

Updated 10/18

