

---

## SynCon® TRKS 4, TRKSD 4 and TRKS 4/3

---

### Attributes

This type family has been developed for direct assembly on the coil body with integrated installation chambers. All terminals can also be snapped onto aluminium transformer rails 2 x 10 mm and 2 x 35 mm in size.

The type series includes:

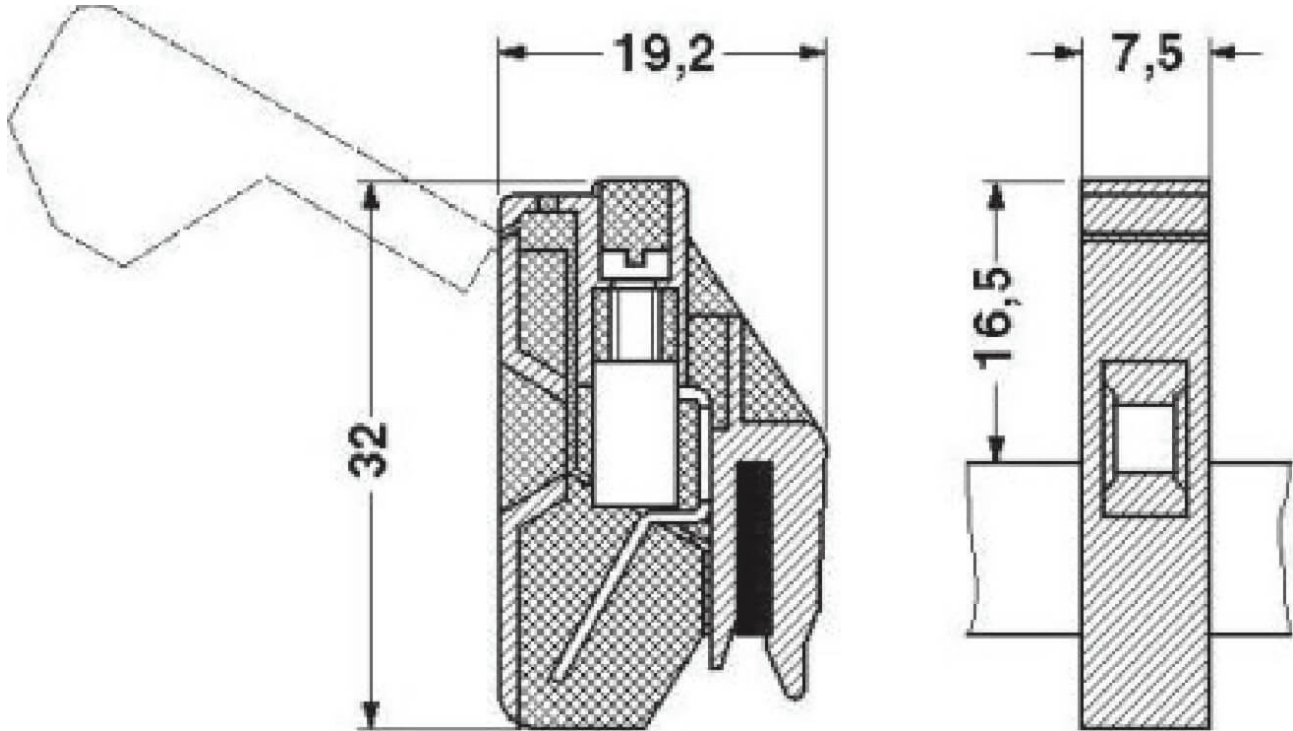
- Single, double and triple terminals with screw connections
- Single, double and triple terminals
- Green/yellow PE terminals for screw connecting and welding to the core stack
- Fuse terminals for the relevant 5 x 20 mm, 5 x 30 mm and 6.3 x 32 mm cartridge fuse links
- Single, double and triple terminals with a connection capacity of 10 mm<sup>2</sup>

---

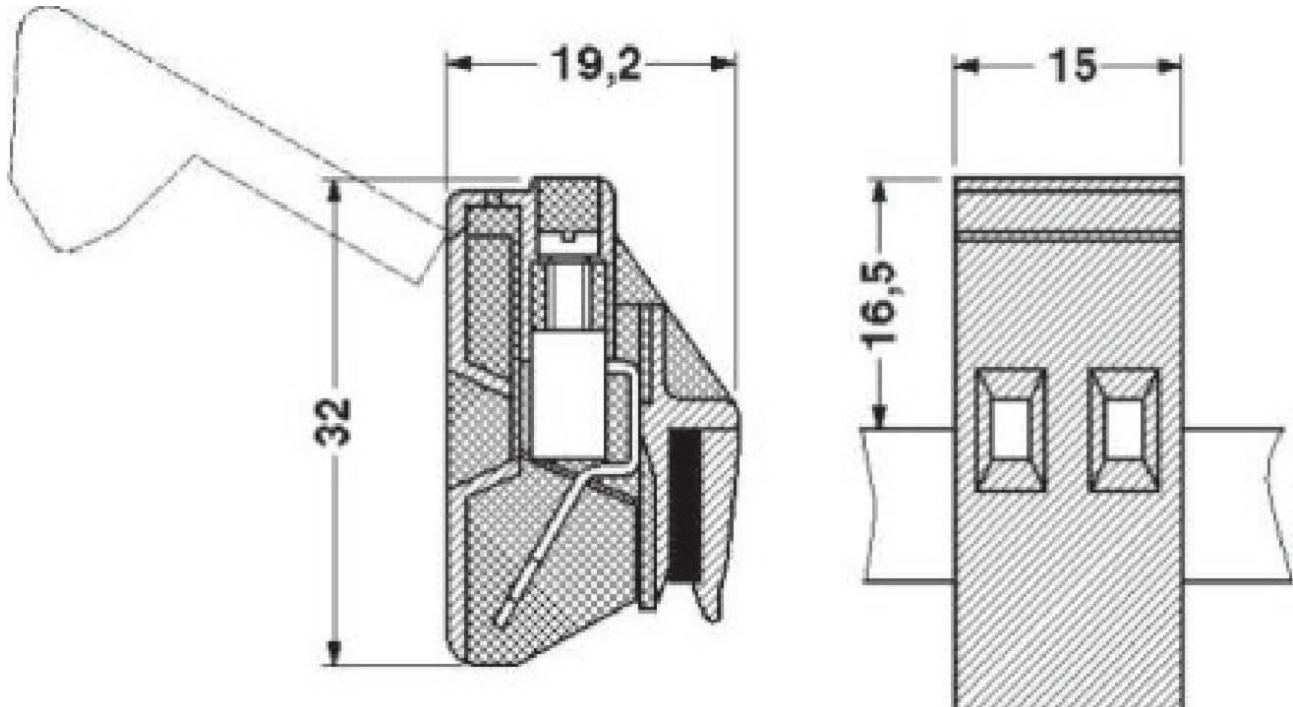
### Delivery forms

50 units per package

**Technical drawing**



TRKS 4



TRKSD 4

The information on this data sheet is based on the information provided by our supplier. It does not represent any specification or agreements regarding conditions or properties. The indicated values are standard values. Deviations from those values due to production and application cannot be excluded. The information on this data sheet is addressed to experts who use it at their own discretion and at their own risk. We do not guarantee results, or accept liability for the indicated specifications or for results obtained based on the specifications. Please contact us for more detailed information. Non-toxic and toxic substances are listed on the safety data sheet.

Updated 10/18



Technical data	Unit of measure	TRKS 4	TRKSD 4
Design		single terminal	double terminal
Rated cross section	mm <sup>2</sup>	4	4
Max. Strombelastbarkeit	A	30	30
Rated voltage	V	only possible with transformer	only possible with transformer
Rated insulation voltage	V	690	690
Rated surge voltage / Contamination class	kV / -	8 / 3	8 / 3
Surge voltage category/Insulation material group		III / I	III / I

Nominal data acc. to CSA	Unit of measure	TRKS 4	TRKSD 4
Rated voltage	V	600	600
Nominal current	A	30	30
AWG	kcmil	24-10	24-10

Nominal data acc. to UL	Unit of measure	TRKS 4	TRKSD 4
Rated voltage	V	600	600
Nominal current	A	30	30

The information on this data sheet is based on the information provided by our supplier. It does not represent any specification or agreements regarding conditions or properties. The indicated values are standard values. Deviations from those values due to production and application cannot be excluded. The information on this data sheet is addressed to experts who use it at their own discretion and at their own risk. We do not guarantee results, or accept liability for the indicated specifications or for results obtained based on the specifications. Please contact us for more detailed information. Non-toxic and toxic substances are listed on the safety data sheet.

Updated 10/18



**Product datasheet**SynCon® TRKS 4, TRKSD 4 and TRKS 4/3  
Page 4SynFlex Elektro GmbH  
Auf den Kreuzen 24  
D-32825 Blomberg Germany  
Telefon +49-5235-968-0  
E-Mail info@synflex.de

Nominal data acc. to UL	Unit of measure	TRKS 4	TRKSD 4
AWG	kcmil	30-10	30-10

Connection data	Unit of measure	TRKS 4	TRKSD 4
Strand cross section rigid min	mm <sup>2</sup>	0.2	0.2
Strand cross section rigid max	mm <sup>2</sup>	6	6
Strand cross section flexible min	mm <sup>2</sup>	0.2	0.2
Strand cross section flexible max	mm <sup>2</sup>	4	4
Strand cross section with AEH min	mm <sup>2</sup>	0.25	0.25
Strand cross section with AEH max	mm <sup>2</sup>	1.5	1.5
2 strands equal cross section rigid min	mm <sup>2</sup>	0.2	0.2
2 strands equal cross section rigid max	mm <sup>2</sup>	1.5	1.5
2 strands equal cross section flexible min	mm <sup>2</sup>	0.2	0.2
2 strands equal cross section flexible max	mm <sup>2</sup>	1.5	1.5
2 strands equal cross section with TWIN-AEH min	mm <sup>2</sup>	0.25	0.5
2 strands equal cross section with TWIN-AEH max	mm <sup>2</sup>	1.5	2.5
Number of connections		2	4

The information on this data sheet is based on the information provided by our supplier. It does not represent any specification or agreements regarding conditions or properties. The indicated values are standard values. Deviations from those values due to production and application cannot be excluded. The information on this data sheet is addressed to experts who use it at their own discretion and at their own risk. We do not guarantee results, or accept liability for the indicated specifications or for results obtained based on the specifications. Please contact us for more detailed information. Non-toxic and toxic substances are listed on the safety data sheet.

Updated 10/18



**Product datasheet**SynCon® TRKS 4, TRKSD 4 and TRKS 4/3  
Page 5SynFlex Elektro GmbH  
Auf den Kreuzen 24  
D-32825 Blomberg Germany  
Telefon +49-5235-968-0  
E-Mail info@synflex.de

Connection data	Unit of measure	TRKS 4	TRKSD 4
Connection type		screw connection	screw connection
Stripping length	mm	8	8
Thread		M3	M3
Torque	Nm	0.6-0.8	0.6-0.8

Material data	TRKS 4	TRKSD 4
Insulation material	PA	PA
Inflammability class acc. to UL 94	V2	V2
Contact surface	tin-plated	tin-plated

Description	TRKS 4
Colour	TRKS 4 GY
Colour	TRKS 4 OG

Description	TRKSD 4	TRKS 4/3
Colour	TRKSD 4 GY	TRKSD 4/3 GY

The information on this data sheet is based on the information provided by our supplier. It does not represent any specification or agreements regarding conditions or properties. The indicated values are standard values. Deviations from those values due to production and application cannot be excluded. The information on this data sheet is addressed to experts who use it at their own discretion and at their own risk. We do not guarantee results, or accept liability for the indicated specifications or for results obtained based on the specifications. Please contact us for more detailed information. Non-toxic and toxic substances are listed on the safety data sheet.

Updated 10/18



**Product datasheet**SynCon® TRKS 4, TRKSD 4 and TRKS 4/3  
Page 6SynFlex Elektro GmbH  
Auf den Kreuzen 24  
D-32825 Blomberg Germany  
Telefon +49-5235-968-0  
E-Mail info@synflex.de

Description	TRKSD 4	TRKS 4/3
Colour	TRKSD 4 OG	TRKS 4/3 OG

Technical data	Unit of measure	TRKS 4/3
Design		triple terminal
Rated cross section	mm <sup>2</sup>	4
Max. Strombelastbarkeit	A	30
Rated voltage	V	only possible with transformer
Rated insulation voltage	V	690
Rated surge voltage / Contamination class	kV / -	8/3
Surge voltage category/Insulation material group		III / I

Nominal data acc. to CSA	Unit of measure	TRKS 4/3
Rated voltage	V	600
Nominal current	A	30
AWG	kcmil	24-10

The information on this data sheet is based on the information provided by our supplier. It does not represent any specification or agreements regarding conditions or properties. The indicated values are standard values. Deviations from those values due to production and application cannot be excluded. The information on this data sheet is addressed to experts who use it at their own discretion and at their own risk. We do not guarantee results, or accept liability for the indicated specifications or for results obtained based on the specifications. Please contact us for more detailed information. Non-toxic and toxic substances are listed on the safety data sheet.

Updated 10/18



Nominal data acc. to UL	Unit of measure	TRKS 4/3
Rated voltage	V	600
Nominal current	A	30
AWG	kcmil	30-10

Connection data	Unit of measure	TRKS 4/3
Strand cross section rigid min	mm <sup>2</sup>	0.2
Strand cross section rigid max	mm <sup>2</sup>	6
Strand cross section flexible min	mm <sup>2</sup>	0.2
Strand cross section flexible max	mm <sup>2</sup>	4
Strand cross section with AEH min	mm <sup>2</sup>	0.25
Strand cross section with AEH max	mm <sup>2</sup>	1.5
2 strands equal cross section rigid min	mm <sup>2</sup>	0.2
2 strands equal cross section rigid max	mm <sup>2</sup>	1.5
2 strands equal cross section flexible min	mm <sup>2</sup>	0.2
2 strands equal cross section flexible max	mm <sup>2</sup>	1.5
2 strands equal cross section with TWIN-AEH min	mm <sup>2</sup>	0.5
2 strands equal cross section with TWIN-AEH max	mm <sup>2</sup>	2.5
Number of connections		6
Connection type		screw connection

The information on this data sheet is based on the information provided by our supplier. It does not represent any specification or agreements regarding conditions or properties. The indicated values are standard values. Deviations from those values due to production and application cannot be excluded. The information on this data sheet is addressed to experts who use it at their own discretion and at their own risk. We do not guarantee results, or accept liability for the indicated specifications or for results obtained based on the specifications. Please contact us for more detailed information. Non-toxic and toxic substances are listed on the safety data sheet.

Updated 10/18



**Product datasheet**SynCon® TRKS 4, TRKSD 4 and TRKS 4/3  
Page 8SynFlex Elektro GmbH  
Auf den Kreuzen 24  
D-32825 Blomberg Germany  
Telefon +49-5235-968-0  
E-Mail info@synflex.de

Connection data	Unit of measure	TRKS 4/3
Stripping length	mm	8
Thread		M3
Torque	Nm	0.6-0.8

Material data	TRKS 4/3
Insulation material	PA
Inflammability class acc. to UL 94	V2
Contact surface	tin-plated

The information on this data sheet is based on the information provided by our supplier. It does not represent any specification or agreements regarding conditions or properties. The indicated values are standard values. Deviations from those values due to production and application cannot be excluded. The information on this data sheet is addressed to experts who use it at their own discretion and at their own risk. We do not guarantee results, or accept liability for the indicated specifications or for results obtained based on the specifications. Please contact us for more detailed information. Non-toxic and toxic substances are listed on the safety data sheet.

Updated 10/18

